

Technical Data Sheet G Series

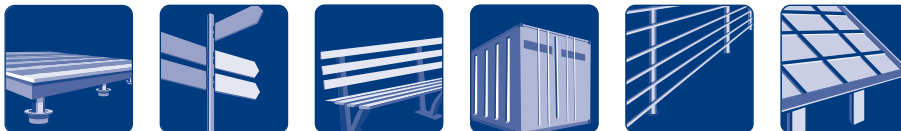
Basic Info

KSF G 89x1300-4xM12	KSF G 89x1000-4xM12	KSF G 89x800-4xM12
Nominal length (mm)		
1300	1000	800
Tube diameter (mm)		
88.90	88.90	88.90
Weight (kg)		
7.80	6.60	5.80
Item number		
25459	25458	25457

Construction

- Nut: DIN EN ISO 4032 - 8
- Continuous welded helix
- Coating: Hot-dip galvanized according to DIN EN ISO 1461

Applications



Accessories



**Special
Granulate 1500 g**
Item No. 21824



**Special
Granulate 500 g**
Item No. 21823



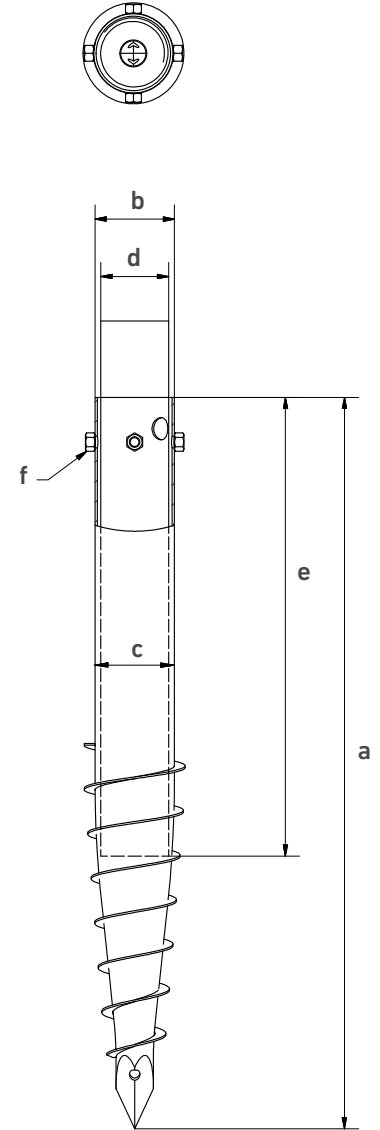
Screwing Bar long
2.40 kg
Item No. 24805



KSF G 89x
1300-4xM12

Technical Data

	KSF G 89x1300-4xM12	KSF G 89x1000-4xM12	KSF G 89x800-4xM12
a	Length (mm) (± 25 mm)		
	1280	1080	830
b	Shaft outer diameter (mm)		
	88.90	88.90	88.90
c	Inner diameter (mm)		
	83.70	83.70	83.70
d	Diameter setting (mm)		
	76 40x60 60 48	76 40x60 60 48	76 40x60 60 48
e	Depth setting (mm) (± 25 mm)		
	970 1020 1055 1090	780 830 855 900	520 570 600 640
f	Thread		
	4 x M12	4 x M12	4 x M12



Online Service

KSF G 89x1300-4xM12	KSF G 89x1000-4xM12	KSF G 89x800-4xM12
---------------------	---------------------	--------------------

Webkey

G2545911D



G2545811D



G2545711D



Subject to technical change!

Krinner Schraubfundamente GmbH | Passauer Straße 55 | D-94342 Straßkirchen
 Phone: +49 9424 9401-80 | E-Mail: service@krinner.com | www.krinner.com