

Technical Data Sheet E Series

Basic Info

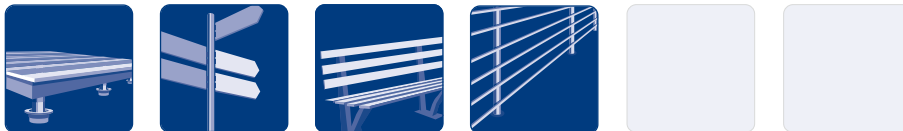
KSF E 89x1000-E60	KSF E 89x800-E60	KSF E 89x550-E60
Nominal length (mm)		
1000	800	550
Tube diameter (mm)		
88.90	88.90	88.90
Weight (kg)		
5.50	4.30	3.50
Item number		
24100	24080	24055



Construction

- Coating: Hot-dip galvanized according to DIN EN ISO 1461
- Continuous welded helix
- Patented conical body forged from a single piece of tubing

Applications



Accessories



Cover Plate 2 mm-E60
Item No. 24808



Clamp Ring-E60
Item No. 24802



Excenter-E60
Item No. 24801



Fair Level-E60
Item No. 24803



Excenter Set-E60
Item No. 24817



Fixing Screw-E60
Item No. 21808

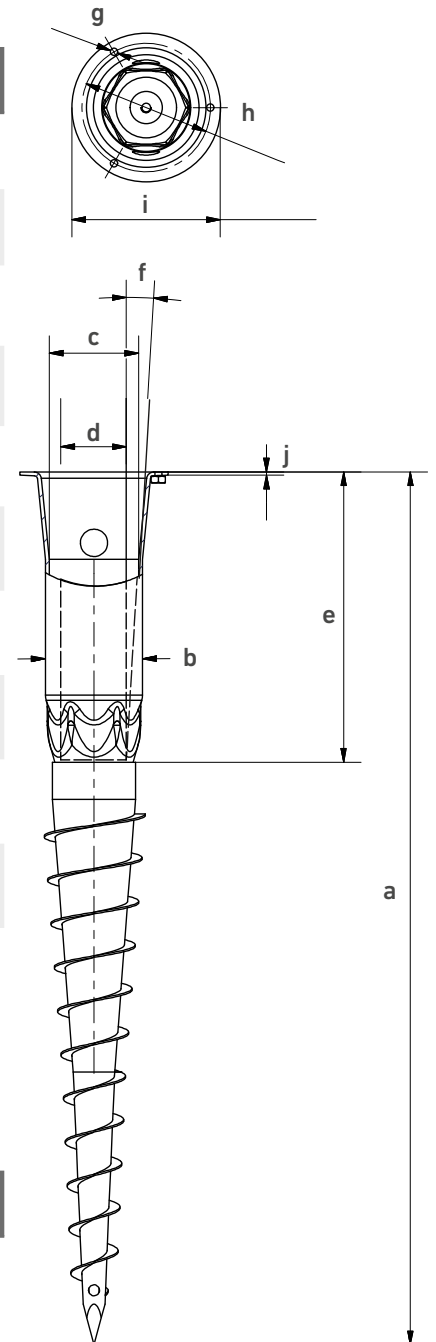
Subject to technical change!

Krinner Schraubfundamente GmbH | Passauer Straße 55 | D-94342 Straßkirchen
Phone: +49 9424 9401-80 | E-Mail: service@krinner.com | www.krinner.com

efficient · no concrete · durable

Technical Data

	KSF E 89x1000-E60	KSF E 89x800-E60	KSF E 89x550-E60
a	Length (mm) (± 25 mm) 1000	800	550
b	Outer diameter (mm) 88.90	88.90	88.90
c	Inner diameter (mm) 81.70	81.70	81.70
d	Diameter setting* (mm) 60	60	60
e	Depth setting (mm) (± 25 mm) 270	270	270
f	Alignment range 3° (incl. Excenter)	3° (incl. Excenter)	3° (incl. Excenter)
g	Thread 3 x M8	3 x M8	3 x M8
h	Pitch circle diameter (mm) 118	118	118
i	Flange outer diameter (mm) 136	136	136
j	Flange thickness (mm) 3	3	3



*Diameter setting (a) result in depth setting (e) and alignment range (f)

Online Service

KSF E 89x1000-E60	KSF E 89x800-E60	KSF E 89x550-E60
Webkey E2410011D	E2408011D	E2405511D



Subject to technical change!

Krinner Schraubfundamente GmbH | Passauer Straße 55 | D-94342 Straßkirchen
Phone: +49 9424 9401-80 | E-Mail: service@krinner.com | www.krinner.com